

ALUMINUM RAILINGS AND HANDRAILS STANDARD DETAIL SHEET

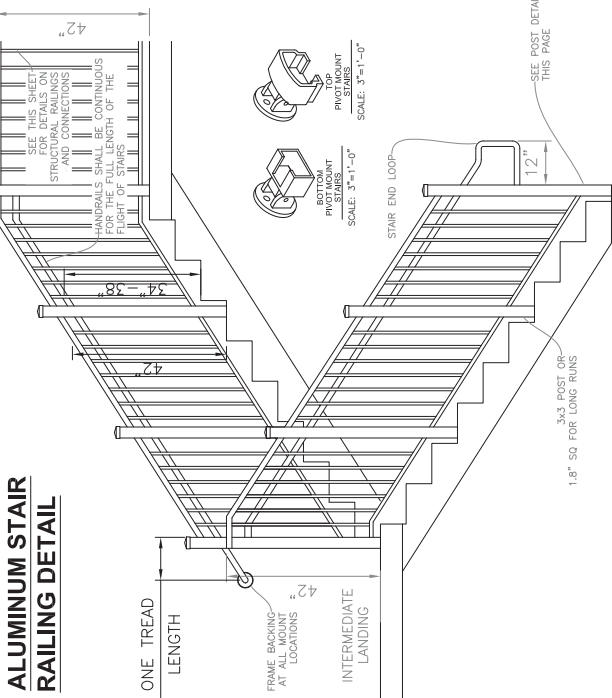
MADEN MFG. CO
331 DOGWOOD ROAD, LAKE OZARK, MISSOURI 65049



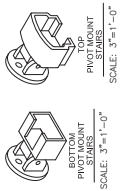
MIDWEST ENGINEERING
5610 Altona Point
Osage Beach, MO 65065
matt@mwecc.us
Telephone: 573-216-0066
WWW.MWCC.US

MO Comp: 2001013593
Expires 12/31/18
DATE 10/16/17
IR/N, M/JM
C/DL

S-1



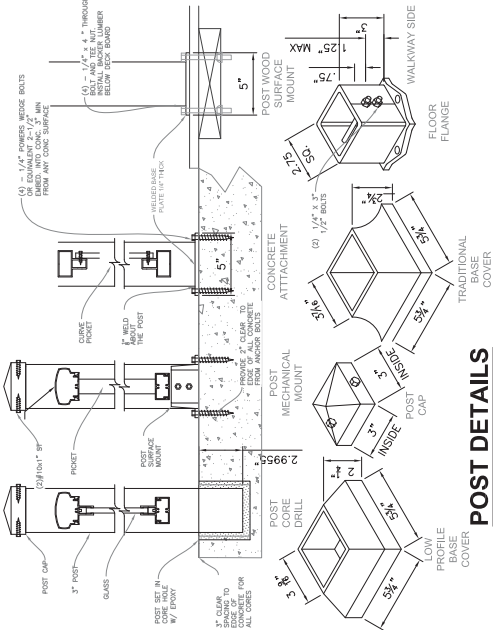
ALUMINUM STAIR RAILING DETAIL



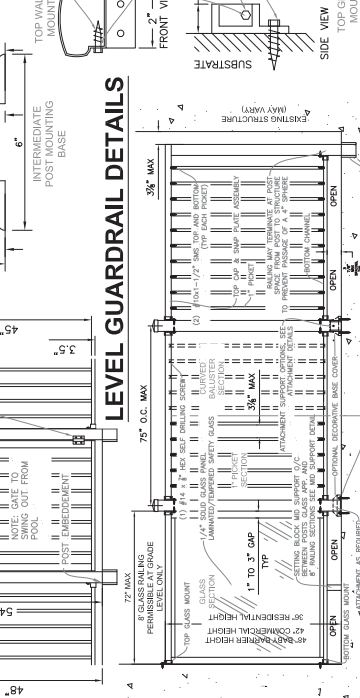
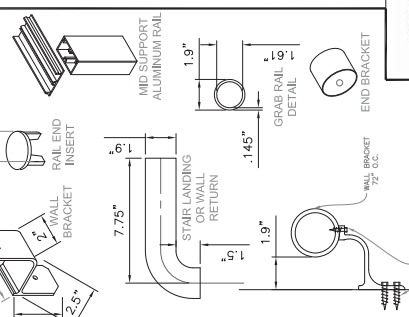
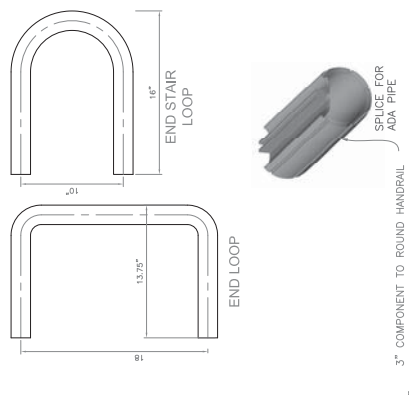
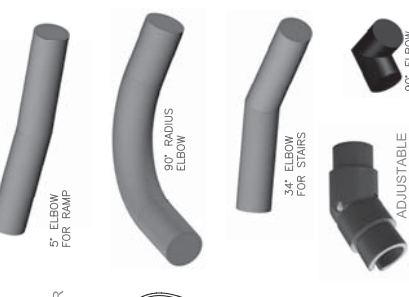
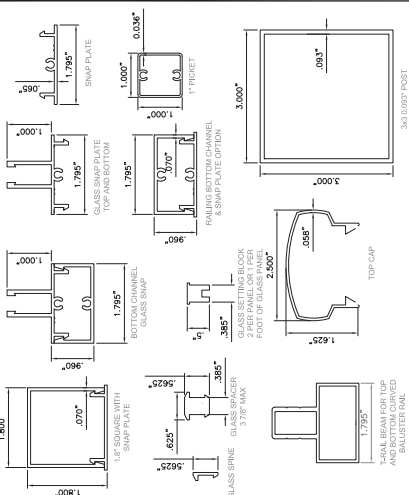
SCALE: 3"=1'-0"
SEE POST DETAIL THIS PAGE

SCALE: 3"=1'-0"
SEE POST DETAIL THIS PAGE

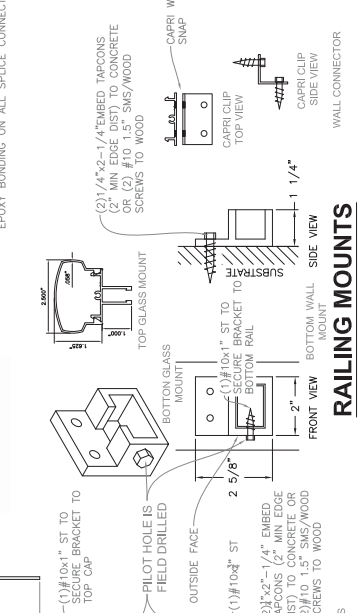
POST DETAILS



RAILING EXTRUSIONS

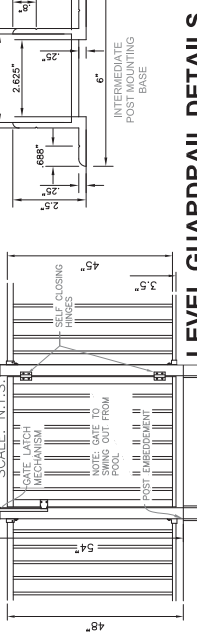


LEVEL GUARDRAIL DETAILS



ADA RAMP DETAIL

POOL RAILING AND GATE DETAIL



GENERAL NOTES: DESIGNER TO BE RESPONSIBLE FOR THE REQUIREMENTS OF 9015 INTERNATIONAL BUILDING CODE (CONCENTRATED LOAD OF 250 POUNDS MAX. AND A SEPARATE 50 PLF LINEAR LOAD).
 2. ALL FASTENERS TO BE #10 X 3/4\"/>

3\"/>

77\"/>

10. DO NOT SCALE FROM DRAWINGS. SEE PRODUCT SPECIFICATIONS FOR FURTHER DETAIL.